



Stainless Steel Wedge Anchors

4000 PSI Concrete

Type 304 and 316 Stainless and various alloys

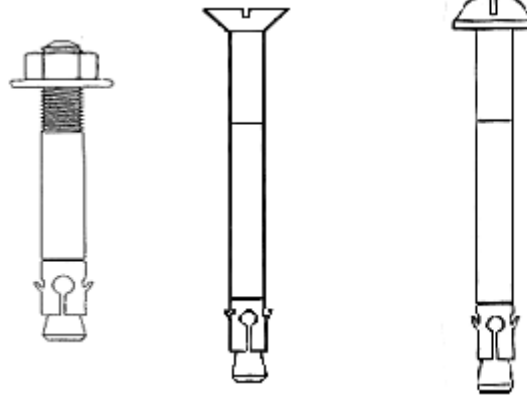
HEX NUT

FLAT HEAD

ROUND HEAD

For safe working loads (allowable loads) do not exceed 25% of ultimate load.

Note: Long lengths are our specialty, We stock up to 21" in most diameters.



Anchor Size	Embed	Tensions		Tensions		Shear	
		Average Ultimate Load (Pounds)	Average Ultimate Load (Pounds)	Average Ultimate Load (Pounds)	Average Ultimate Load (Pounds)	Average Ultimate Load (Pounds)	Average Ultimate Load (Pounds)
1/4 x 1 3/4	1 1/8 in.	1790	2104	5/8 x 6	4 1/2 in.	12150	13250
1/4 x 2 1/4	1 3/4 in.	2635	2270	5/8 x 7	5 in.	12630	13770
1/4 x 3 1/4	2 1/2 in.	2776	2295	5/8 x 8 1/2	7 1/2 in.	13035	14340
1/4 x 4 1/4	3 1/2 in.	2860	2661	3/4 x 4 1/4	3 1/2 in.	9160	18340
3/8 x 2 1/4	1 5/8 in.	2622	2740	3/4 x 4 3/4	4 in.	12690	19445
3/8 x 2 3/4 (3)	1 3/4 in.	3999	3031	3/4 x 5 1/2	4 1/2 in.	15450	20220
3/8 x 3 3/4	2 1/2 in.	5149	5272	3/4 x 7	5 1/2 in.	15670	21070
3/8 x 5	3 1/2 in.	5611	5387	3/4 x 8 1/2	6 1/2 in.	16607	21205
3/8 x 6 1/2	5 in.	5777	5411	3/4 x 10	8 in.	18997	22320
1/2 x 2 3/4	2 1/4 in.	7010	9070	7/8 x 6	4 in.	14496	25260
1/2 x 3 3/4	3 in.	7976	9210	7/8 x 8	6 in.	21086	28335
1/2 x 4 1/4	3 1/4 in.	9341	9696	7/8 x 10	8 in.	22920	29140
1/2 x 5 1/2	3 1/2 in.	10320	9895	7/8 x 12	10 in.	26345	32030
1/2 x 7	4 in.	10905	10300	1 x 6	4 1/2 in.	18990	29130
1/2 x 8 1/2	6 in.	11748	10455	1 x 9	7 in.	27555	30940
5/8 x 3 1/2	2 3/4 in.	7430	8900	1 x 12	9 in.	32460	31280
5/8 x 4 1/2	3 1/2 in.	9940	10290	1 1/4 x 9	5 in.	25255	47265
5/8 x 5	4 in.	11740	12645	1 1/4 x 12	9 in.	48065	48009

FM Stainless, LLC

328 Maddox Drive Ellijay, GA 30540

706-636-1881 Fax 706-636-1882

specs@fmstainless.com www.fmstainless.com