



Stainless Steel Medium Knee Bracket Figure 98

Service:

To support loads up to 1500 pounds close to walls provides adjustment to and from the wall.

Material:

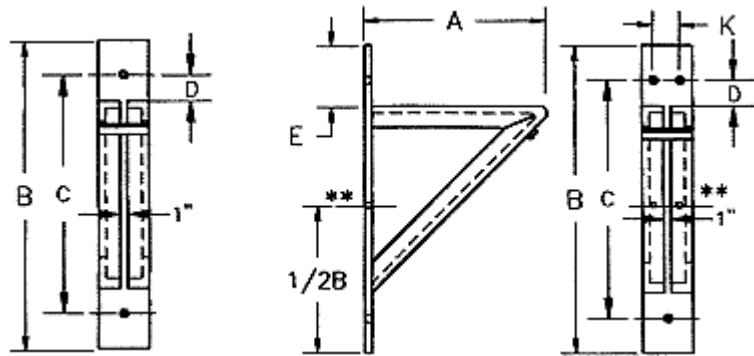
304/316 Stainless steel and various alloys.

Ordering:

Specify bracket number, type of material.

Note:

Other sizes available to meet specific application requirements.



Size	A	B	C	D	E	Plate Size	Angle Size	Hole Size
0	12	18	15-1/2	1-1/4	2-1/2	4	1-1/2X1/4	13/16
1	18	24	21-1/2	1-1/4	2-1/2	5	1-3/4X3/16	13/16
2	24	30	27-1/23	1-1/4	2-1/2	5	2X1/4	13/16

FM Stainless, LLC
 328 Maddox Drive Ellijay, GA 30540
 706-636-1881 Fax 706-636-1882
specs@fmstainless.com www.fmstainless.com