



Adjustable Clevis Hanger For Ductile Iron Pipe Figure 90

Service:

Suspend ductile iron pipe

Material:

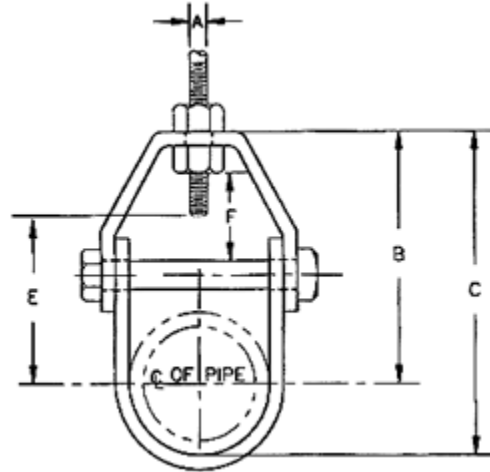
304/316 Stainless steel and various alloys

Ordering:

Specify by pipe size

Note:

30" to 48" available by special order



Pipe Size	Max. recom. load, lb	Size of Steel		A	B	C	E	Adjustment F
		upper	lower					
4	1430	3/16X1-1/4	1/8X1-1/4	5/8	5-11/16	8-3/16	4-13/16	1-5/8
6	1940	3/16X1-1/2	1/8X1-1/2	3/4	7	10-1/2	5-3/4	1-3/4
8	2000	1/4X1-1/2	3/16X1-1/2	7/8	8-3/8	13	7	1-3/4
10	3600	1/4X1-3/4	3/16X1-3/4	7/8	10-1/8	15-3/4	8-5/8	2-1/4
12	3800	3/8X2	1/4X2	7/8	10-1/2	17-1/4	9	2-1/4
14	4200	3/8X2	1/4X2	1	13-1/2	21-1/2	11-3/4	2-1/2
16	4600	3/8X2-1/2	1/4X2-1/2	1	15-1/4	24-1/4	13-1/2	3-3/8
18	4800	3/8X2-1/2	1/4X2-1/2	1	16-3/4	26-3/4	14-7/8	3-3/8
20	4800	1/2X3	3/8X3	1-1/4	18-1/2	29-3/4	16-3/8	3-3/4
24	4800	1/2X3	3/8X3	1-1/4	20-3/4	34	18-5/8	4

FM Stainless, LLC

328 Maddox Drive Ellijay, GA 30540
706-636-1881 Fax 706-636-1882
specs@fmstainless.com www.fmstainless.com