



Stainless Steel Adjustable Roll Type Hanger Figure 81

Service:

For suspension of pipe where horizontal movement may occur.

Material:

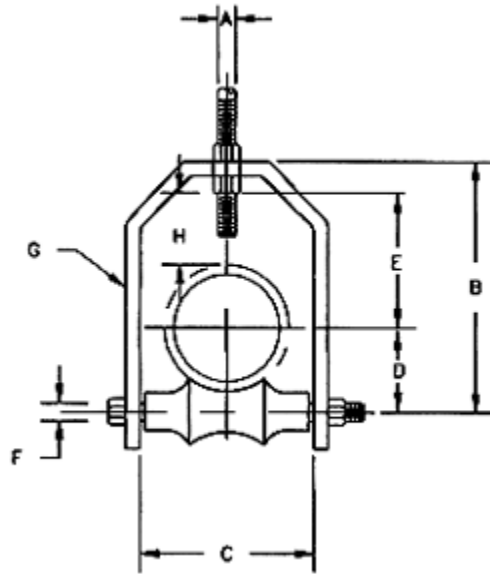
304/316 Stainless steel and various alloys.

Ordering:

Pipe size, standard pipe or ductile iron and material specification.

Note:

Roller configuration may differ from illustration.



Pipe Size	Max. O.D. of covering	Rod A	B	C	D	E	F	G	H
2-1/2	3	1/2	5-3/4	3-1/4	1-15/16	2-7/8	1/2	1/8x1-1/4	1-11/16
3	3-5/8	1/2	6-3/8	3-7/8	2-1/4	3-1/8	1/2	1/8x1-1/4	1-5/8
3-1/2	4-1/8	1/2	7	4-3/8	2-9/16	3-1/2	1/2	1/8x1-1/4	1-11/16
4	4-11/16	5/8	7-9/16	4-15/16	2-13/16	3-5/8	1/2	3/16x1-1/2	1/5/8
5	5-3/4	5/8	9-1/8	6	3-7/16	4-1/2	5/8	1/4x1-3/4	1-15/16
6	6-7/8	3/4	10-5/16	7-1/8	4	5	3/4	1/4x2	1-7/8
8	9	7/8	12-11/16	9-1/4	5-1/8	6-1/8	7/8	1/4x2-1/2	2
10	11	7/8	15-1/16	11-1/4	6-3/8	7-1/4	7/8	1/4x2-1/2	2-1/16
12	13	7/8	17-7/16	13-1/4	7-7/16	8-3/8	1	3/8x2-1/2	2-1/4
14	14-1/4	1	1-7/8	14-1/2	8-3/8	8-3/4	1-1/8	3/8x2-1/2	2
16	16-1/4	1	20-13/16	16-1/2	9-3/8	9-11/16	1-1/4	3/8x2-1/2	1-15/16
18	18-1/4	1	23-3/4	18-1/2	10-7/16	11-7/16	1-1/4	3/8x3	2-13/16
20	20-1/4	1	26	20-1/2	11-5/8	12-1/4	1-1/4	1/2x3	2-1/2

FM Stainless, LLC
 328 Maddox Drive Ellijay, GA 30540
 706-636-1881 Fax 706-636-1882
specs@fmstainless.com www.fmstainless.com