



Stainless Steel U-Bolts for Standard and Ductile Iron Pipe Figure 37

Material:

304/316 Stainless steel and various alloys.

Ordering:

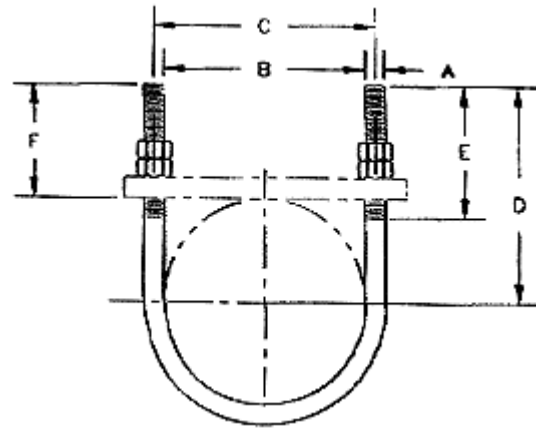
Specify size, pipe or ductile iron size and type of material.

Note:

Also available for ductile iron pipe sizes 4"-36".

Note:

Other sizes available to meet specific application requirements.



Pipe Size	Rod Size A	Max. Rec. Load, lb.		B	C	D	E	F
		650 °F	750 °F					
1/2	1/4	485	435	15/16	1-3/16	2-3/4	2-1/8	2-5/16
3/4	1/4	485	435	1-1/8	1-3/8	2-3/4	2-1/8	2-7/32
1	1/4	485	435	1-3/8	1-5/8	2-3/4	2-1/8	2-3/32
1-1/4	3/8	1220	1090	1-11/16	2-1/16	2-7/8	2-1/8	2-1/32
1-1/2	3/8	1220	1090	2	2-3/8	3	2-1/2	2-1/16
2	3/8	1220	1090	2-7/16	2-13/16	3-1/4	2-1/2	2-1/16
2-1/2	1/2	2260	2020	2-15/16	3-7/16	3-3/4	3	2-5/16
3	1/2	2260	2020	3-9/16	4-1/16	4	3	2-1/4
3-1/2	1/2	2260	2020	4-1/16	4-9/16	4-1/4	3	2-1/4
4	1/2	2260	2020	4-9/16	5-1/16	4-1/2	3	2-1/4
5	1/2	2260	2020	5-5/8	6-1/8	5	3	2-7/32
6	5/8	3620	3230	6-3/4	7-3/8	6-1/8	3-3/4	2-13/16
8	5/8	3620	3230	8-3/4	9-3/8	7-1/8	3-3/4	2-13/16
10	3/4	5420	4830	10-7/8	11-5/8	8-3/8	4	3
12	7/8	7540	6730	12-7/8	13-3/4	9-5/8	4-1/4	3-1/4
14	7/8	7540	6730	14-1/8	15	10-1/4	4-1/4	3-1/4
16	7/8	7540	6730	16-1/8	17	11-1/4	4-1/4	3-1/4
18	1	9920	8850	18-1/8	19-1/8	12-5/8	4-3/4	3-5/8
20	1	9920	8850	20-1/8	21-1/8	13-5/8	4-3/4	3-5/8
24	1	9920	8850	24-1/8	25-1/8	15-5/8	4-3/4	3-5/8
28	1	9920	8850	28-1/8	29-1/8	17-5/8	4-3/4	3-5/8
30	1	9920	8850	30-1/8	31-1/8	18-5/8	4-3/4	3-5/8
36	1	9920	8850	36-1/8	37-1/8	21-5/8	4-3/4	3-5/8

FM Stainless, LLC

328 Maddox Drive Ellijay, GA 30540
706-636-1881 Fax 706-636-1882

specs@fmstainless.com www.fmstainless.com